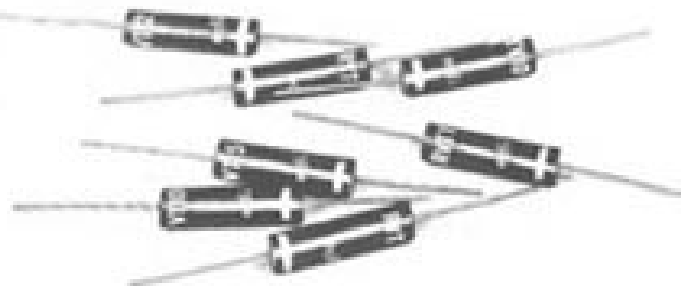




VT RVT

HIGH VOLTAGE 50 mA SILICON RECTIFIERS

- SMALL SIZE MOLDED PACKAGE
- PRV 10,000 TO 15,000 VOLTS
- FAST RECOVERY (R_SERIES)
- AVALANCHE CHARACTERISTICS
- LOW LEAKAGE



EDI Type	PRV Volts	REVERSE RECOVERY TIME (Fig.4)
VT1000	10,000	-
VT1200	12,000	-
VT1500	15,000	-
RVT1000	10,000	100 ns max.
RVT1200	12,000	100 ns max.
RVT1500	15,000	100 ns max.

ELECTRICAL CHARACTERISTICS (at $T_A=25^\circ\text{C}$ Unless Otherwise Specified)

Average Rectified Forward Current @ 50°C , I_o	50 mA
Max. Peak Surge Current, I_{FSM} (8.3ms)	5 Amp
Max. Forward Voltage Drop @ 50mA, V_F	28Volts
Max. DC Reverse Current @ PRV and 25°C , I_R	1 μA
Max. DC Reverse Current @ PRV and 100°C , I_R	25 μA
Ambient Operating Temperature Range, T_A	-55 to + 125°C
Storage Temperature Range, T_{STG}	-55 to + 150°C

NOTES:

1. It is recommended that a proper heat sink be used on the terminals of this device between the body and soldering point to prevent damage from excess heat.
2. If operated over 10,000v/inch in length, devices should be immersed in oil or re-encapsulated.

EDI reserves the right to change these specifications at any time without notice.

FIG.1

OUTPUT CURRENT vs AMBIENT TEMPERATURE

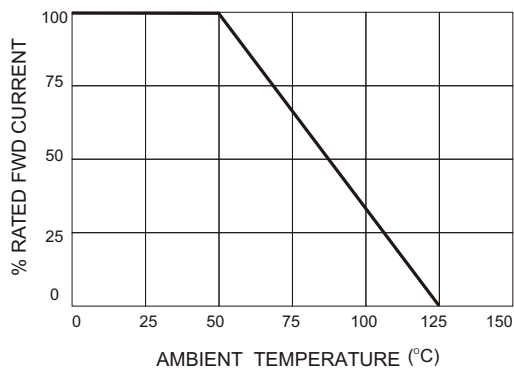


FIG.2

NON-REPETITIVE SURGE CURRENT

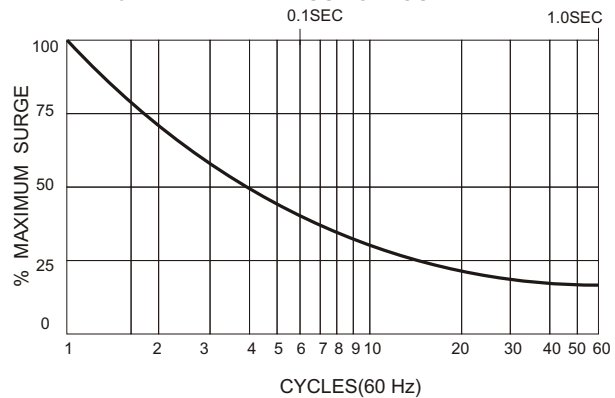


FIG.3

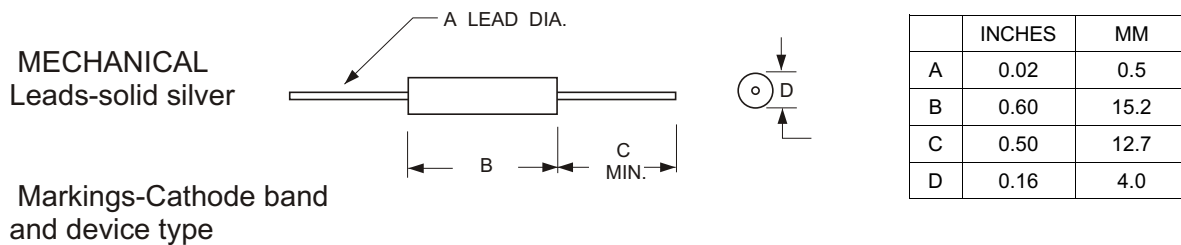
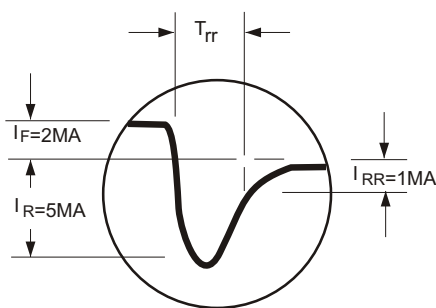


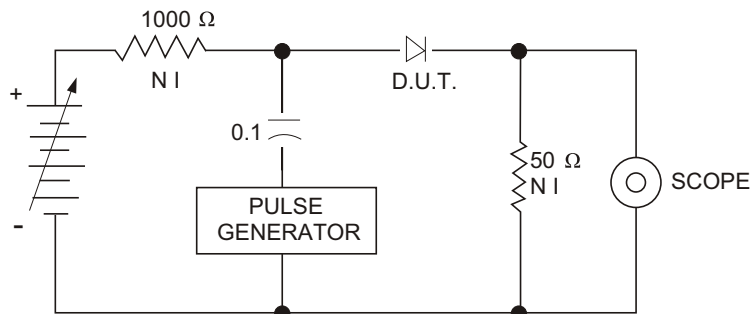
FIG.4

REVERSE RECOVERY TEST METHOD

RECOVERY WAVE FORM



RECOVERY WA VE FORM



ELECTRONIC DEVICES, INC. DESIGNERS AND MANUFACTURERS OF SOLID STATE DEVICES SINCE 1951.

21 GRAY OAKS AVENUE * YONKERS, NEW YORK 10710 914-965-4400 * FAX 914-965-5531 * 1-800-678-0828

e-mail:sales@ediododes.com * website: <http://www.ediododes.com>